

# DESVAC GEL DISPENSER

## Stand-alone Gel Dispenser for Day Old Chick Vaccination



Our new **Desvac Gel Dispenser** is a unique equipment capable of evenly dropping vaccine in a gel form on Day Old Chicks. The Coccidiosis vaccine is absorbed when the birds ingest the red coloured droplets. Our equipment is designed to dispense the vaccine uniformly on the crate ensuring best possible cover, contributing to good vaccine take.

### Key Features

- Unique gel dispenser system
- Accurate dosage of 25ml
- Precise droplet size and volume for best vaccine uptake
- Cleaning In Place system (CIP)
- Automatic detection of the crate
- Constant flow rate and pressure guarantee vaccination quality
- Integrated electrical conveyor to ensure vaccination speed
- User friendly design

**Pathology:** Coccidiosis  
**Ceva Vaccines:** Immucox I, II, T

## PROFILE



### Unique Gel Dispenser

Stand-alone unit

Integrated electrical conveyor to ensure constant vaccination speed

Cleaning In Place system (CIP) for better hygiene

### High Quality of Gel Dispenser

Innovative bar design with 31 needles to effectively deliver the gel

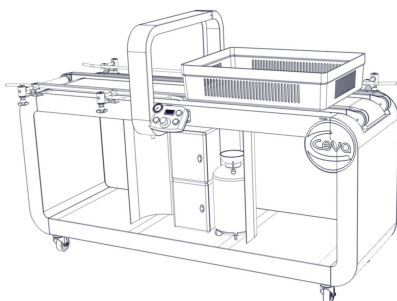
Accurate dosing unit for 25 ml

Reliable air pressure regulator & flow valve

### Vaccination Monitoring

Smart system alarms for blocked crates and empty vaccine tanks

## SPECIFICATIONS



|                              |                  |
|------------------------------|------------------|
| <b>Target</b>                | Day old chicks   |
| <b>Vaccination Technique</b> | Gel droplet      |
| <b>Tank Capacity</b>         | 5 litres         |
| <b>Working Pressure</b>      | 1.5 bars/ 20 PSI |
| <b>Voltage Supply</b>        | 100 - 240 DVC    |
| <b>Power Frequency</b>       | 50 - 60 Hz       |
| <b>Current</b>               | 10 A             |
| <b>Dose</b>                  | 25 ml            |



As part of the Ceva Hatchery Immunisation Control Keys program (C.H.I.C.K.), our Ceva Hatchery Specialist will monitor the good operation of the equipment and the quality of vaccination during the routine visit.

